

988A无捻粗纱是热塑性塑料理想的增强材料，涂覆硅烷基浸润剂，能与多种树脂兼容。

988A主要用于双螺杆挤出成型工艺生产热塑性塑料粒，广泛用于汽车部件、电子电气、机械工具、化工防腐、体育用品等。

988A Roving for Thermoplastic is coated with a silane-based sizing compatible with a multiple of resin systems.

988A is typically designed for double screw extrusion process to manufacture thermoplastic pellet/granulate. Key applications include: automotive parts, electronic & electrical, mechanical tools, chemical corrosion resistance and sports goods.

### 产品特点

- 能与树脂充分混合，均匀分散
- 张力均匀，成带性好
- 制品色泽白、强度高
- 环保型产品

### Product Features

- No fiber fly in the air, providing a healthy working environment
- Easy to handle with few joints, minimizing fiberglass waste and maximizing its utility rate
- Uniform Linear Density, ensuring consistent fiberglass content of the final composite product
- Excellent mechanical property of the composite products
- Smooth, shiny surface of the composite product with no fiber show
- No heavy metal ions and environment-friendly

### 规格代号 Identification:

代号示例 Example	ER11-2000-988A
玻璃类型 Glass Type	E
无捻粗纱 Roving	R
纤维直径(μm) Filament Diameter(μm)	11,13,14
线密度(tex) Linear Density(tex)	2000
浸润剂代号 Size Code	988A



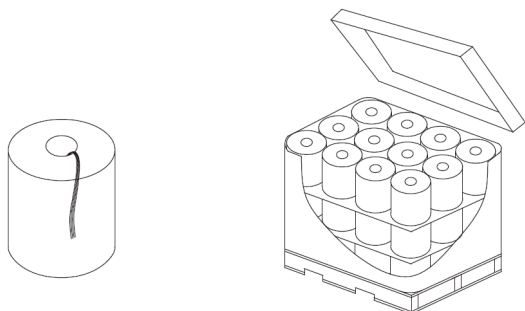
### 技术指标 Technical Parameters

线密度偏差 Linear Density (%)	含水率 Moisture Content (%)	可燃物含量 Size Content (%)
ISO1889	ISO3344	ISO1887
± 4	≤ 0.10	0.30 ± 0.15

### 贮存 Storage

在没有特殊要求的情况下，玻璃纤维产品应贮存在干燥、凉爽的地方，防止受潮。建议保持室内温度平衡，最佳存储条件为温度-10°C~35°C，相对湿度≤80%。本产品在12个月内使用最佳，使用前应保持原包装内，为确保安全，避免损坏产品，托盘的堆码高度不应超过三层。当堆放两层或三层高时，要求正确地、平稳地移动上面的托盘。

Unless otherwise specified, the fiberglass products should be stored in a dry, cool and moisture-proof area. The fiberglass products should remain in their original package until prior to use. The room temperature and humidity should be always maintained at -10°C~35°C and ≤80% respectively. To ensure safety and avoid damage to the product, the pallets should not be stacked more than three layers high. When the pallets are stacked in 2 or 3 layers, special care should be taken to correctly and smoothly move the top pallet.



### 包装信息 Packaging

\* 采用托盘包装或小纸箱包装  
The product can be packed on pallet or in small cardboard boxes.

纱团高度 Package height mm (in)	260 (10)
纱团内经 Package inside diameter mm (in)	100 (4)
纱团外径 Package outside diameter mm (in)	270(10.6)
纱团重量 Package weight kg (lb)	22 (48.5)

层数 Number of layers	3	4
每层纱团个数 Number of doffs per layer	16	
每托纱团个数 Number of doffs per pallet	48	64
每托重量 Net weight per pallet kg (lb)	1056(2328.1)	1408(3104.1)

托盘长度 Pallet length mm (in)	1120(44.1)	
托盘宽度 Pallet width mm (in)	1120(44.1)	
托盘高度 Pallet height mm (in)	940 (37)	1200 (47)

## APEX GLOBAL TRADING LTD.