

386T是直接无捻粗纱，表面涂覆硅烷基浸润剂，适用于增强不饱和聚酯树脂、乙烯基树脂、环氧树脂，可用于缠绕、拉挤、编织等应用工艺。  
386T用于制造玻璃钢管道、压力容器、格栅、型材、船艇、化工贮罐等。

386T Direct Roving is coated with a silane-based sizing compatible with unsaturated polyester, vinyl ester and epoxy resins and designed for filament winding, pultrusion and weaving applications.

386T is suitable for use in pipes, pressure vessels, gratings and profile and the woven rovings converted from it are used in boats and chemical storage tank.

#### 产品特点

- ◎ 使用工艺性能优良，毛羽少。
- ◎ 与多种树脂相容。
- ◎ 浸透快速且完全。
- ◎ 制品机械性能好。
- ◎ 优异的耐腐蚀化学性。

#### Product Features

- ◎ Excellent processing properties, low fuzz.
- ◎ Multi-resin compatibility.
- ◎ Fast and complete wet-out.
- ◎ Good mechanical properties of finished parts.
- ◎ Excellent chemical corrosion resistance.

#### 规格代号 Identification:

玻璃类型 Glass Type	E6								
浸润剂类型 Type of Size	硅烷 Silane								
浸润剂代号 Size Code	386T								
线密度 Linear Density (tex)	300	200	200	735	1100	2000	2200	2400	9600
	400	600	900	1200				4800	
纤维直径 Filament Diameter (μm)	13	16	17	17	17	21	22	24	31



#### 技术指标 Technical Parameters

线密度偏差 Linear Density (%)	含水率 Moisture Content (%)	可燃物含量 Size Content (%)	断裂强度 Breakage Strength (N/Tex)
ISO1889	ISO3344	ISO1887	ISO3341
± 5	≤ 0.10	0.60 ± 0.10	≥0.40 (≤2400tex) ≥0.35 (2401~4800tex) ≥0.30 (≥4800tex)

#### 机械性能参数 Mechanical Properties

性能参数 Mechanical Properties	单位 Unit	实验值 Value	树脂 Resin	测试方法 Method
拉伸强度 Tensile Strength	MPa	2660	UP	ASTM D2343
拉伸模量 Tensile Modulus	MPa	80218	UP	ASTM D2343
拉伸强度 Tensile strength	MPa	2580	EP	ASTM D2343
拉伸模量 Tensile Modulus	MPa	80124	EP	ASTM D2343
剪切强度 Shear strength	MPa	68	EP	ASTM D2344
剪切强度保留率 (72h水煮) Shear strength retention (72 hr boiling)	%	94	EP	/

以上数据为实验室针对E6DR17-1200-386T产品的具体实验值，仅供参考。  
The above data are actual experimental values for EDR17-1200-386T tand for reference only.

#### 贮存 Storage

在没有特殊要求的情况下，玻璃纤维产品应贮存在干燥、凉爽的地方，防止受潮。建议保持室内温度平衡，最佳存储条件为温度-10℃~35℃，相对湿度≤80%。本产品可在12个月内使用最佳，使用前应保持原包装内，为确保安全，避免损坏产品，托盘的堆码高度不应超过三层。当堆放两层或三层高时，要求正确地、平稳地移动上面的托盘。

Unless otherwise specified, the fiberglass products should be stored in a dry, cool and moisture-proof area. The fiberglass products should remain in their original package until prior to use. The room temperature and humidity should be always maintained at -10°C~35°C and ≤80% respectively. To ensure safety and avoid damage to the product, the pallets should not be stacked more than three layers high. When the pallets are stacked in 2 or 3 layers, special care should be taken to correctly and smoothly move the top pallet.

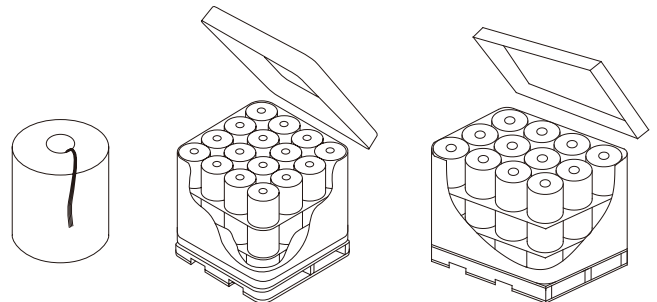
#### 包装信息 Packaging

\* 采用托盘包装或小纸箱包装  
The product can be packed on pallet or in small cardboard boxes.

纱团高度 Package height mm (in)	255 (10)	255 (10)
纱团内径 Package inside diameter mm (in)	160 (6.3)	160 (6.3)
纱团外径 Package outside diameter mm (in)	280 (11)	310 (12.2)
纱团重量 Package weight kg (lb)	15.6 (34.4)	22 (48.5)

层数 Number of layers	3	4	3	4
每层纱团个数 Number of doffs per layer	16		12	
每托纱团个数 Number of doffs per pallet	48	64	36	48
每托重量 Net weight per pallet kg (lb)	750 (1653.5)	1000 (2204.6)	792 (1746.1)	1056 (2328.1)

托盘长度 Pallet length mm (in)	1120 (44.1)	1140 (44.9)	1270 (50)
托盘宽度 Pallet width mm (in)	1120 (44.1)	1140 (44.9)	960 (37.8)
托盘高度 Pallet height mm (in)	940 (37)		1200 (47.2)



#### APEX GLOBAL TRADING LTD.